

SINCE



1859

Schlenter

SHEARING BLADES

QUALITY
OF TRADITION



made
in
Germany

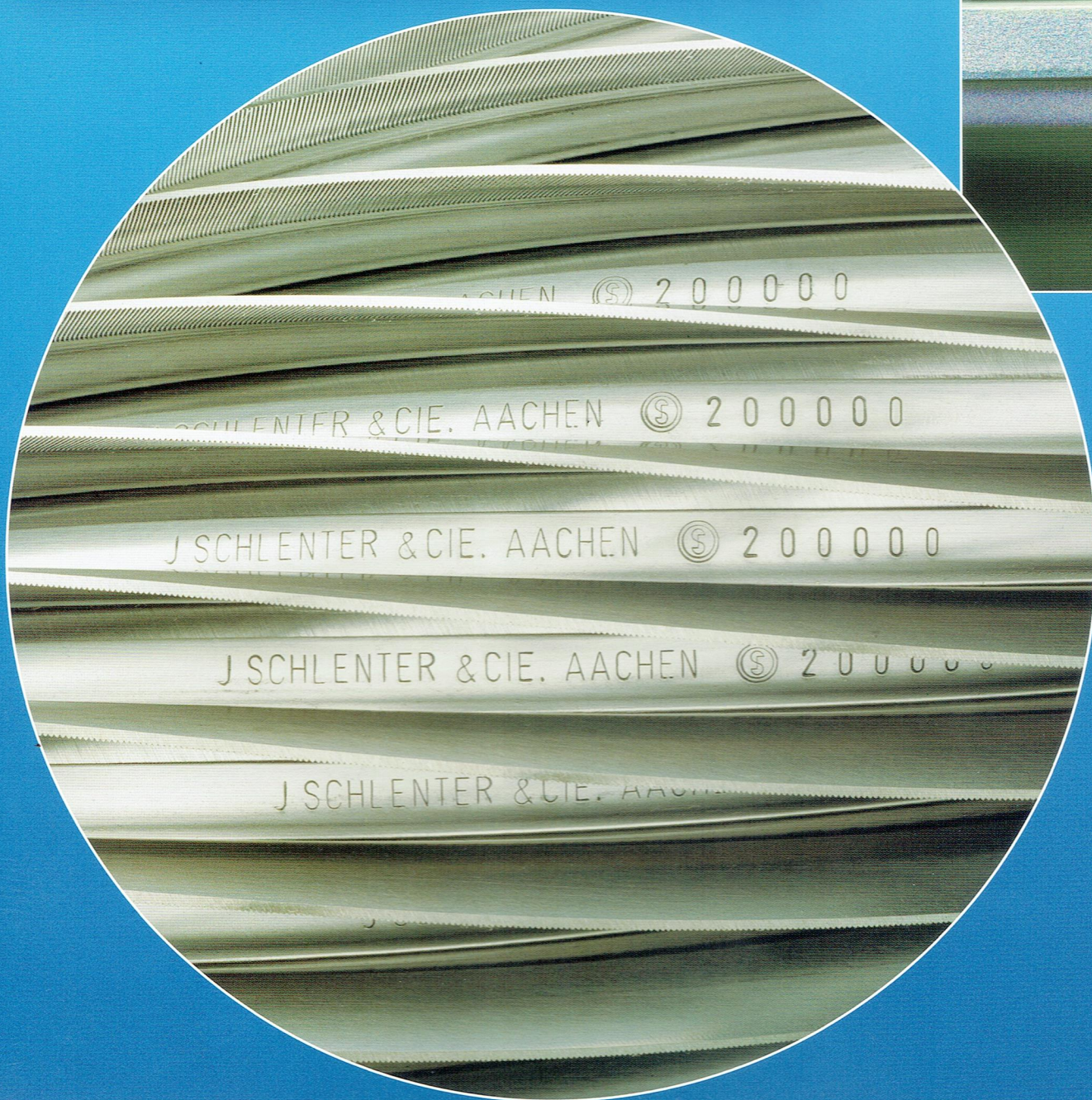


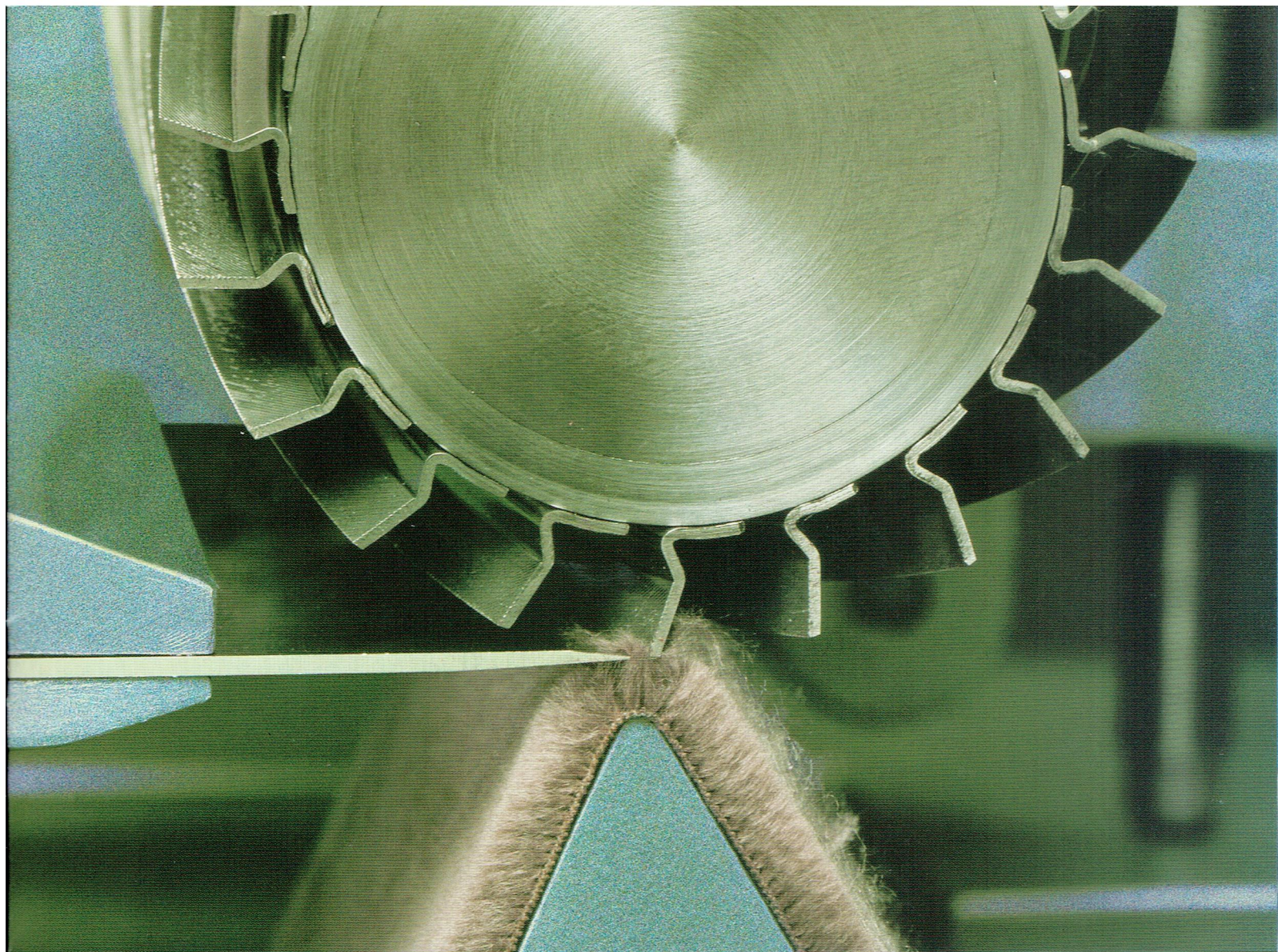
Schleuter has been selling **spirals, ledger blades and complete shearing cylinders** throughout the world for more than 140 years.

The external appearance of our products has not changed as much as the technology used in their production. It is only the utilisation of specially developed machines for manufacturing the shearing blades that gives substance to our claim **"Quality of Tradition"**.

And we do not just apply this claim to the technological aspects of our products. Changing requirements in terms of service, flexibility and future-orientation characterise the development of our company and promote a "modern awareness of tradition".

Easy access, personal customer care and customer support are the strengths of our traditional and, at the same time, innovative company.





Our flexibility and the high performance of our shearing products are reflected in the various areas. The broad range of applications for shearing the most varied materials is just one of these areas. It spans fabrics and textiles made from natural and synthetic fibres manufactured using other techniques, such as cloths, velvet, automotive fabrics, plush, woven furs and curtains all the way through to carpets, felts, ropes and mats.

Regardless of the type of shearing machine you use, *Schleuter* can provide the suitable spirals, ledger blades and shearing cylinders. To this end, flexibility and customer-orientation take centre stage.

For example it is possible to order single spirals for replacement on your *Schleuter* cylinder. These are produced according to our reference numbers (see figure on the left). We manufacture one or more spirals, which match the other spirals installed on the cylinder.

A further large major focus of *Schleuter* is the maintenance of shearing cylinders and their complete cutting units at our facilities in Germany. To this end, all the required repairs and grinding work to your shearing cylinders or cutting units are carried out by our expert staff. But we do not only offer grinding work at our facilities, we also dispatch our specialist technicians throughout the world as part of our customer services program. This means flexible, comprehensive customer care at the highest technical level.

***Schleuter* : an innovative company with tradition!**

LEDGER BLADES



The product range comprises ledger blades in various designs and dimensions.

Ledger blades are manufactured without holes, as well as with long holes, round holes and open slots.

Using our high technology production facilities, we can manufacture ledger blades for all standard types of shearing machines.

QUALITIES

As a result of our various ledger blades qualities, we offer the perfect solution for every shearing application.

HIGH-PERFORMANCE QUALITY – CV

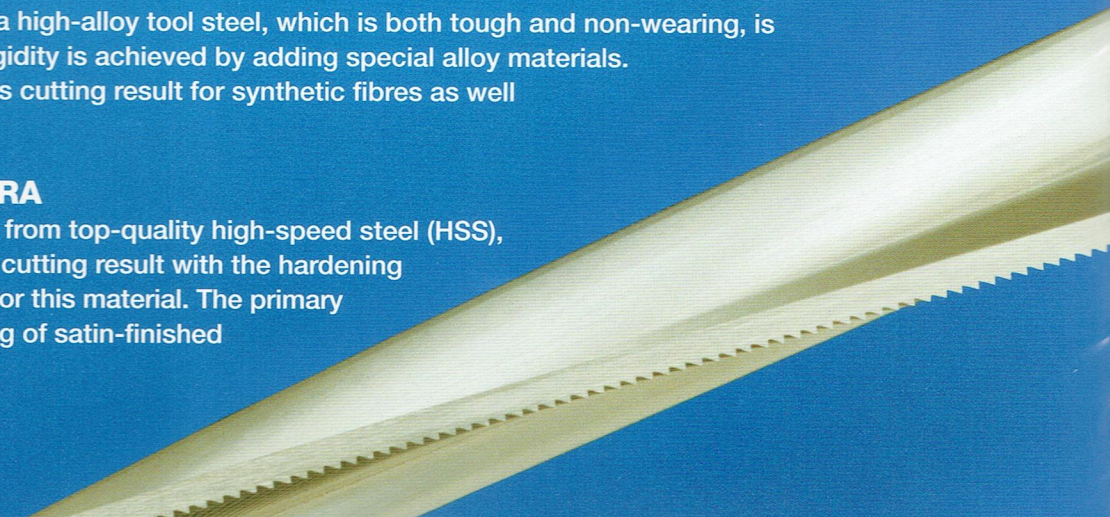
This highly hardened blade, manufactured from alloy tool steel, provides perfect results when shearing natural fibres.

SPECIAL QUALITY – R4

In the case of this ledger blade, a high-alloy tool steel, which is both tough and non-wearing, is specially hardened. Increased rigidity is achieved by adding special alloy materials. This alloy guarantees a first-class cutting result for synthetic fibres as well as high-pile mixed fibres.

EXCEPTIONAL QUALITY – SUPRA

This ledger blade, manufactured from top-quality high-speed steel (HSS), produces an exceptionally good cutting result with the hardening technique especially developed for this material. The primary area of application is the shearing of satin-finished polyamide and polyester fabrics.



SINCE 1859



SHEARING SPIRALS

The spirals so imperative to the shearing process guide the fibre to the ledger blades for cutting.

This technical process requires the highest level of technical understanding, precision and extensive experience.

Being the primary equipment provider for all reputable shearing machine manufacturers requires total dedication!



A dedication that our company fulfils with a whole range of the most varied spirals. The right spirals for each and every fibre:

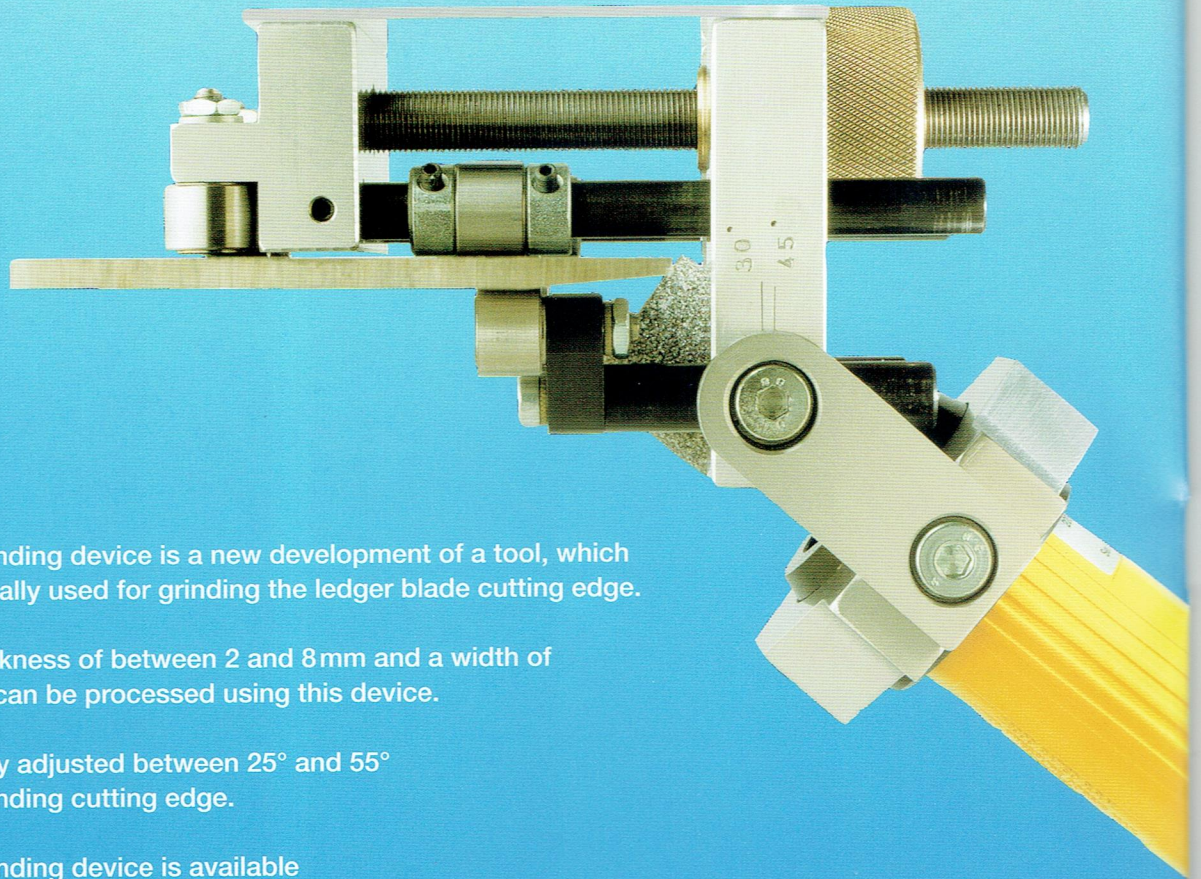
1.5mm thick spirals:	Precision file cut	11, 13, 14, 15, 18, 22, plain
2.0mm thick spirals:	Precision file cut	9, 11, 13, plain

Regardless of the length, thickness or file cut, all shearing spirals are manufactured with a right- or left-hand winding.

Schleiter spirals: Achieving the perfect shearing result with know-how.

Dedicated to the requirements of tomorrow for more than 140 years!

Schlenter MANUAL GRINDING DEVICE



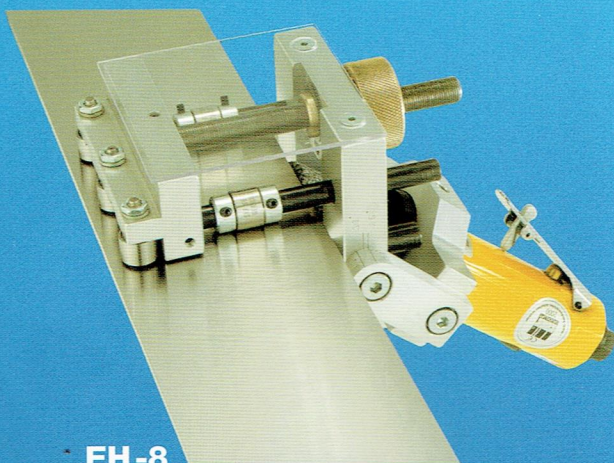
The *Schlenter* manual grinding device is a new development of a tool, which can be easily and universally used for grinding the ledger blade cutting edge.

Ledger blades with a thickness of between 2 and 8 mm and a width of between 90 and 180 mm can be processed using this device.

The angle can be infinitely adjusted between 25° and 55° for grinding the corresponding cutting edge.

The *Schlenter* manual grinding device is available either with an electric or pneumatic drive.

TECHNICAL SPECIFICATIONS

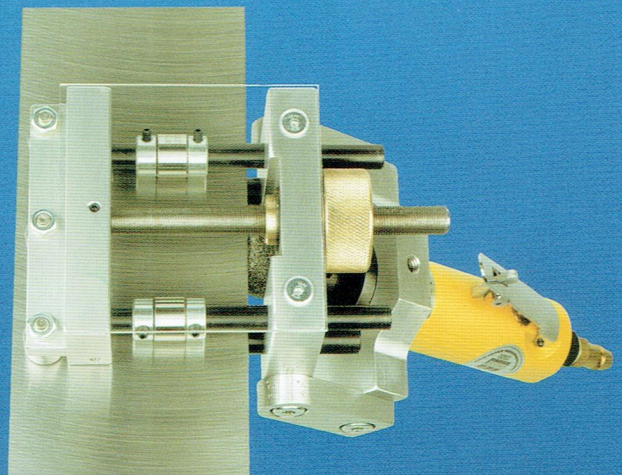


EH-8

Drive	electric
Length	360 mm
Width	125 mm
Height	160 mm
Weight	3 kg
Voltage	220–240 Volt
	500 W / 50 Hertz
	(alternatively 110–120 Volt / 500 W / 60 Hertz)
Ledger blade thickness	2–8 mm
Ledger blade width	90–180 mm
Setting angle	25°–55°, variable
rpm	27.000
Grinding stone dimensions	30 x 30 / 18 x 21 mm

PH-8

Drive	pneumatic
Length	330 mm
Width	125 mm
Height	140 mm
Weight	2.5 kg
Air pressure	min. 6 bar
Ledger blade thickness	2–8 mm
Ledger blade width	90–180 mm
Setting angle	25°–55°, variable
rpm	22.000
Grinding stone dimensions	30 x 30 / 18 x 21 mm



Schlenter GRINDING COMPONENTS



DOCTOR BLADES

ISCO "A"

CUP WHEEL

CARBORUNDUMSTONE

PETROLEUM WHETSTONE

ISCO "Flour 2000"

ISCO "Soft"

DOCTOR BLADE

Schlenter high-performance doctor blades are used for colour textile printing machines. They are available in various dimensions as well as in stainless steel.

CUP WHEEL

Schlenter cup wheels are suitable for use in all standard types of equalising machines.

CARBORUNDUMSTONE

Schlenter carborundumstones are used for polishing the ledger blades and for grinding out damage to the ledger blades.

Dimensions: 250 x 45 x 45 mm

PETROLEUM WHETSTONE

Schlenter petroleum whetstones can be used for sharpening the ledger blades and for removing minor damage to the ledger blades.

Dimensions: 250 x 75 x 25 mm

GRINDING POWDER TYPES

ISCO "A"

Medium grit
suitable for universal grinding
Medium grinding result (RA 0.1)

ISCO "Flour 2000"

Fine grit
suitable for fine grinding
Fine grinding result (RA 0.05)

ISCO "Soft"

Very fine grit
suitable for fine and finish grinding
Very fine grinding result (RA 0.012)

Schlenter SERVICE

Our specialist technicians execute service work at our in-house facilities, as well as carrying out maintenance to the cutting units in the shearing machine at the customer location - worldwide.

SINCE  1859

Schlenter

SHEARING BLADES

 made
in
Germany

WE SUPPLY:

SPIRALS

LEDGER BLADES

COMPLETE SHEARING CYLINDERS

ACCESSORIES

SERVICE

Visit our Website for further information!

J. SCHLENTER PRODUCTION GMBH • D-52070 AACHEN • OLIGSBENDENGASSE 20 • GERMANY
Tel.: +49/241/505000 • Fax: +49/241/533540 • Internet: www.schlenter.com • e-mail: info@schlenter.com